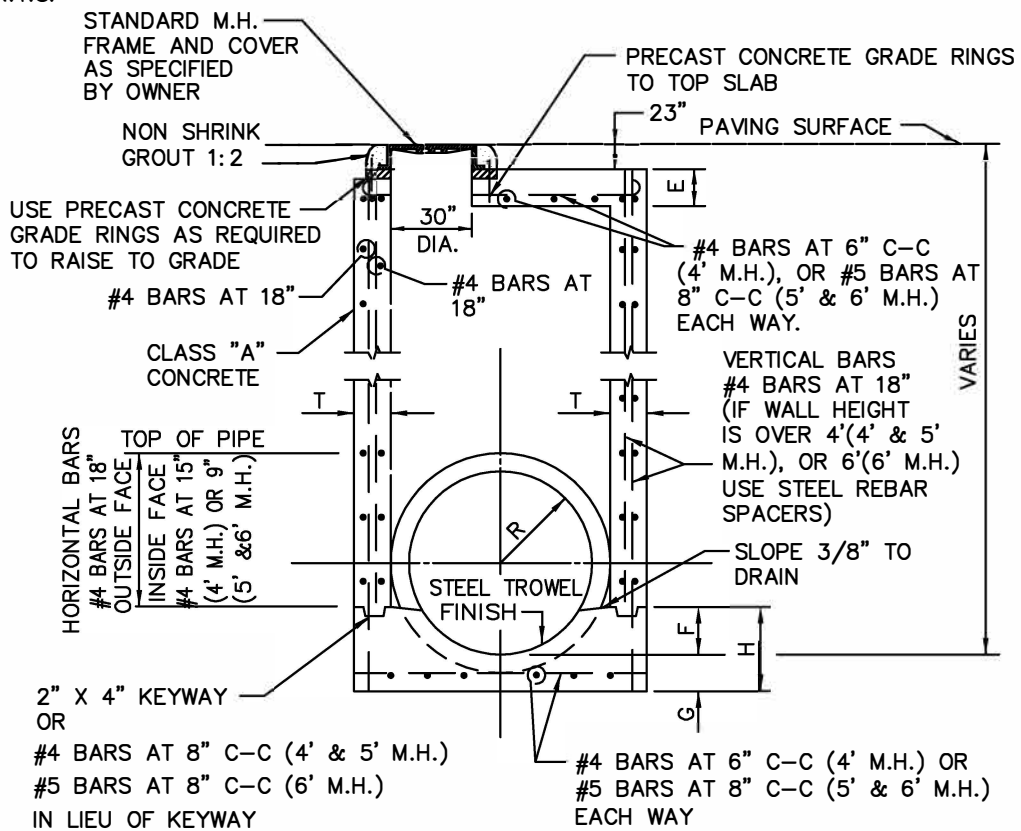


M.H. SIZE(W)	V	T	E	F	G	H
4'	5'-4"	8"	6"	9"	6"	1'-3"
5'	6'-4"	8"	6"	12"	8"	1'-8"
6'	7'-6"	9"	9"	16"	10"	2'-2"

TABLE OF DIMENSIONS
N.T.S.

PLAN
N.T.S.

ALL CONCRETE STRUCTURES SHALL BE CLASS F (4200psi, MIN. 7.0 SACK CEMENT). NO FLY ASH IS ALLOWED IN CONCRETE STRUCTURES.



SECTION B-B
N.T.S.

STORM WATER MANHOLE
4', 5', OR 6' SQUARE

CITY OF ROCKWALL



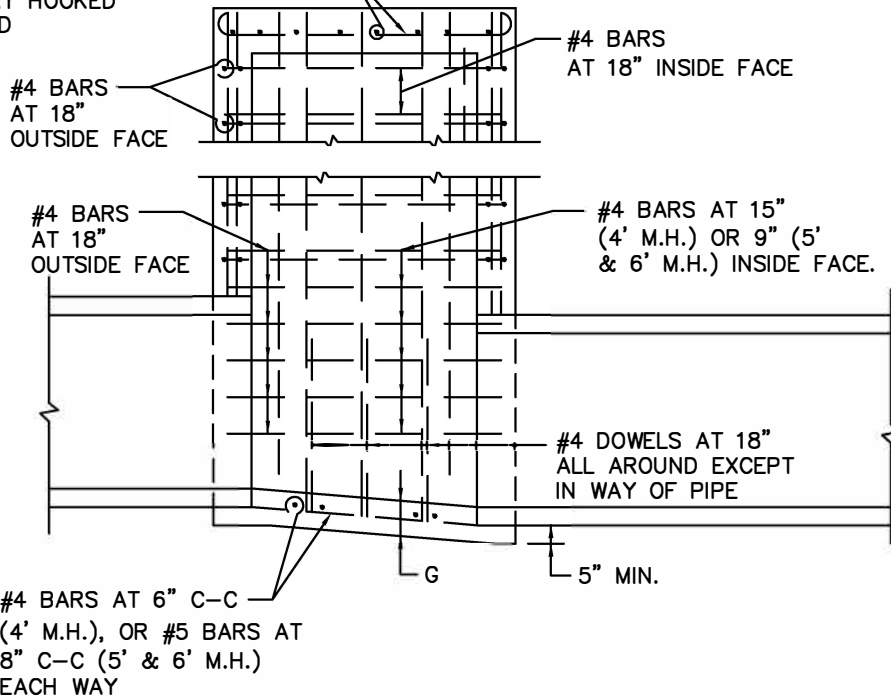
STANDARD SPECIFICATION REFERENCE
502.1.4.1*

DATE
Mar. 2018

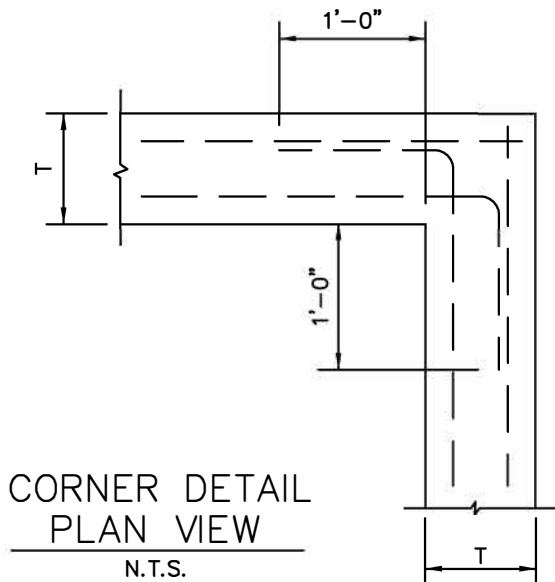
STANDARD DRAWING NO.
R-6010A

*Section II Standard Drawings as of October 2004. Reference number only has been updated for Fifth Edition Specifications. *Public Works Construction Standards North Central Texas, Fifth Edition.*

#4 BARS AT 6" C-C (4' M.H.), OR
 #5 BARS AT 8" C-C (5' & 6' M.H.)
 EACH WAY HOOKED
 EACH END



SECTION A-A
 N.T.S.



NOTES:

1. SLOPE INVERT OF MANHOLE AS INDICATED ON PLAN-PROFILE SHEET.
2. LAYERS OF REINFORCING STEEL NEAREST THE INTERIOR AND EXTERIOR SURFACE SHALL HAVE A COVER OF 2" TO THE CENTER OF BARS, UNLESS OTHERWISE NOTED.
3. ALL CONCRETE STRUCTURES SHALL BE CLASS F (4200psi, MIN. 7.0 SACK CEMENT).
4. NO FLY ASH IS ALLOWED IN CONCRETE STRUCTURES.

STORM WATER MANHOLE
 4', 5', OR 6' SQUARE

CITY OF ROCKWALL

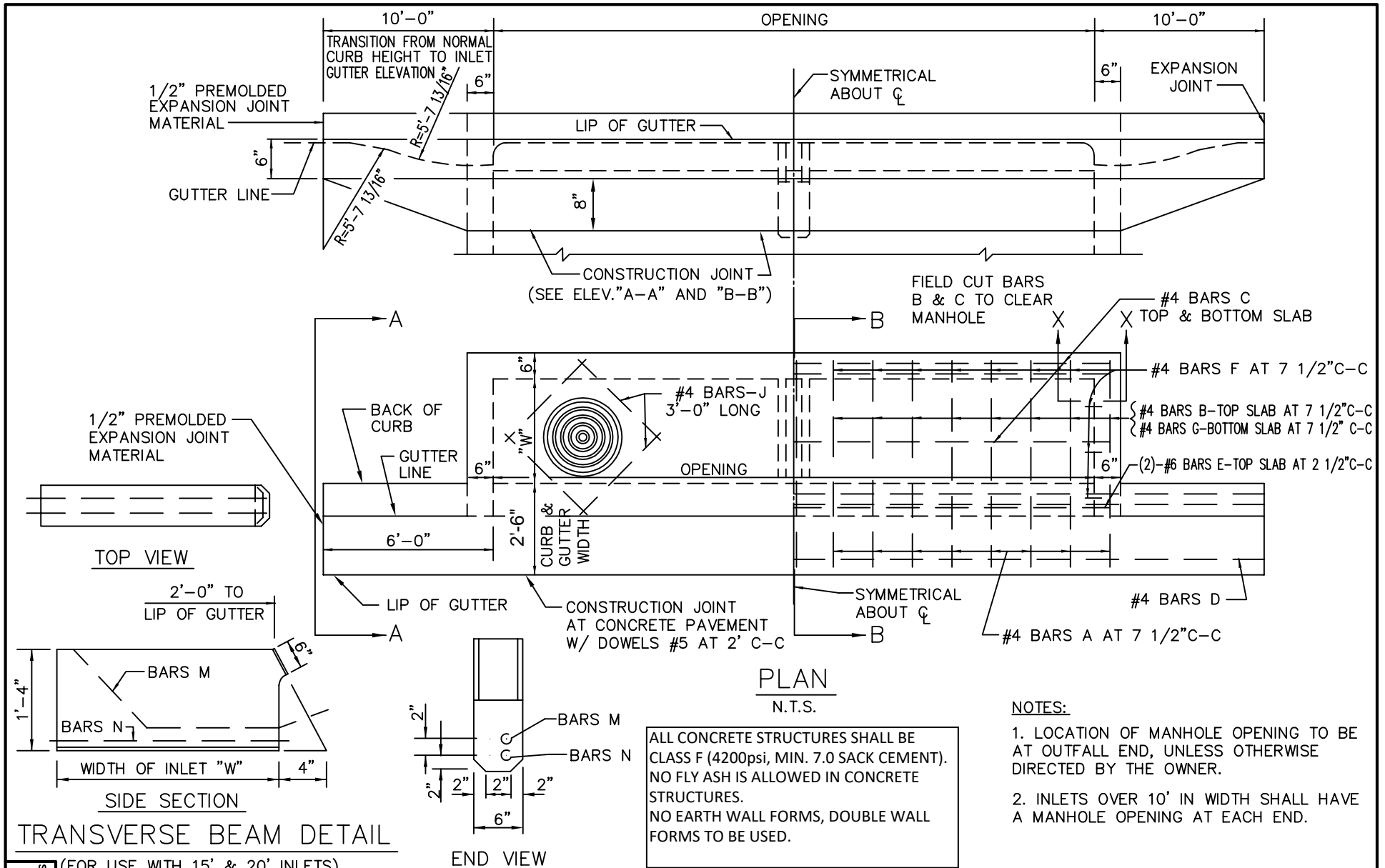


STANDARD SPECIFICATION REFERENCE
 502.1.4.1*

DATE
 Mar. 2018

STANDARD DRAWING NO.
 R-6010B


*Section II Standard Drawings as of October 2004. Reference number only has been updated for Fifth Edition Specifications. *Public Works Construction Standards North Central Texas, Fifth Edition.*



STANDARD DRAWING NO.
R-6020A

CURB INLET
5', 10', 15' OR 20' OPENING

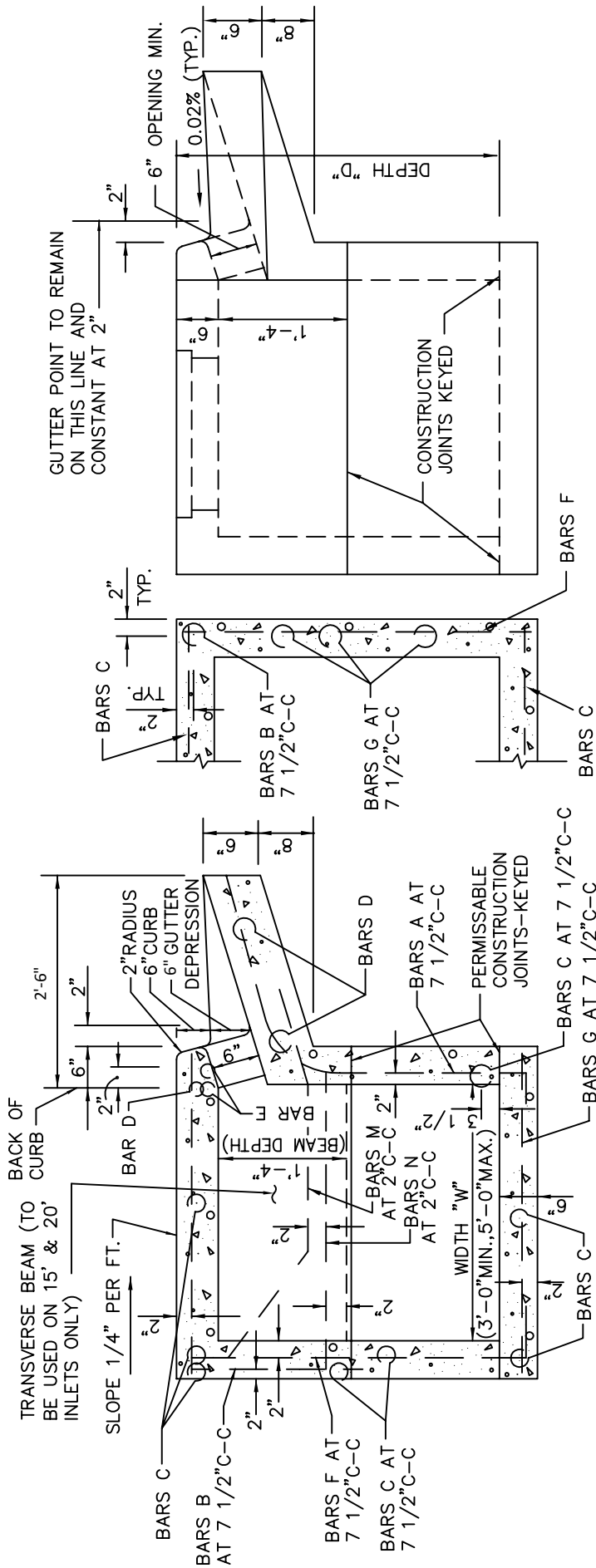
CITY OF ROCKWALL



STANDARD SPECIFICATION REFERENCE
702

DATE
AUG. 2019

STANDARD DRAWING NO.
R-6020A



SECTION "A-A"

SECTION "X-X"

SECTION "B-B"

N.T.S.

N.T.S.

N.T.S.

GENERAL NOTES:

1. ALL CONCRETE SHALL BE CLASS "A" CONCRETE.
2. REINFORCING BARS SHALL BE STANDARD GRADE STEEL, DEFORMED REINFORCING BARS OF A DIAMETER AND LENGTH AS SHOWN.
3. CHAMFER ALL EXPOSED CORNERS 3/4" EXCEPT WHERE OTHERWISE NOTED.
4. DIMENSIONS RELATING TO REINFORCING STEEL ARE TO CENTERS OF BARS.
5. FIELD CUT AND BEND BARS AS NECESSARY TO ACCOMMODATE STORM SEWER PIPE.
6. RING AND COVER SHALL BE APPROVED BY THE OWNER AND INSTALLED BY THE CONTRACTOR.

ALL CONCRETE STRUCTURES SHALL BE CLASS F (4200psi, MIN. 7.0 SACK CEMENT). NO FLY ASH IS ALLOWED IN CONCRETE STRUCTURES. NO EARTH WALL FORMS, DOUBLE WALL FORMS TO BE USED.

STANDARD DRAWING NO. R-6020B

CITY OF ROCKWALL

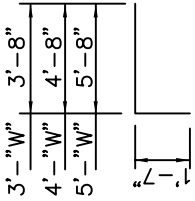


STANDARD SPECIFICATION REFERENCE 702

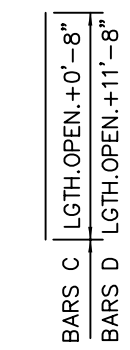
DATE AUG. 2019

STANDARD DRAWING NO. R-6020B

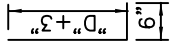
CURB INLET
CROSS SECTION & INLET THROAT



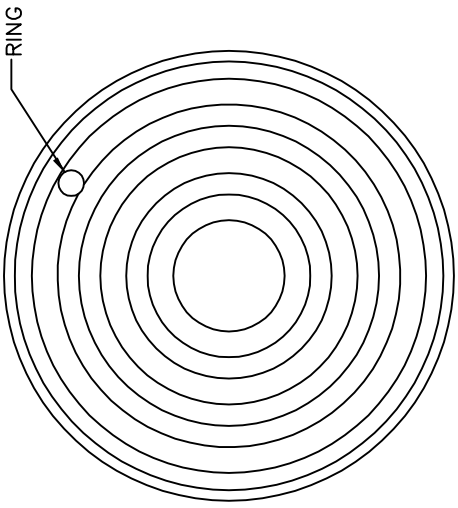
#4 BARS B
N.T.S.



BARS C LGTH. OPEN. + 0'-8"
BARS D LGTH. OPEN. + 11'-8"
#4 BARS C & D
N.T.S.

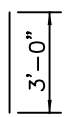


#4 BARS G
N.T.S.



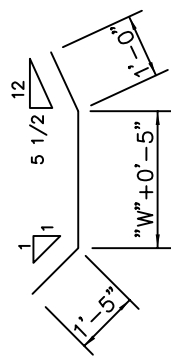
LENGTH OF OPENING + 0'-8"

#4 BARS E
N.T.S.

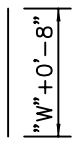


#4 BARS J
N.T.S.

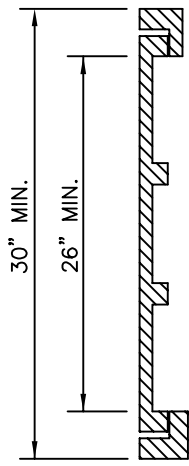
ALL CONCRETE STRUCTURES SHALL BE CLASS F (4200psi, MIN. 7.0 SACK CEMENT). NO FLY ASH IS ALLOWED IN CONCRETE STRUCTURES. INLET LID TO BE LOCKING.



#3 BARS M
N.T.S.




#5 BARS N
N.T.S.



CAST IRON
FRAME AND COVER
N.T.S.

STANDARD DRAWING NO.
6020C

	STANDARD SPECIFICATION REFERENCE 702
	STANDARD DRAWING NO. R-6020C


CITY OF ROCKWALL	DATE Mar. 2018
CURB INLET	REBAR & M.H. FRAME & COVER

SUMMARY OF QUANTITIES FOR CURB INLETS

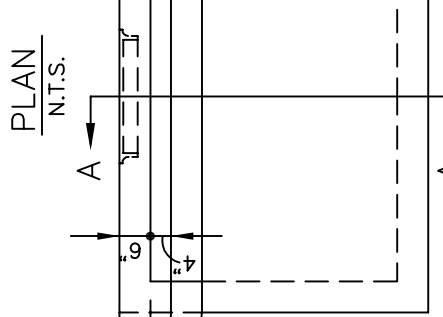
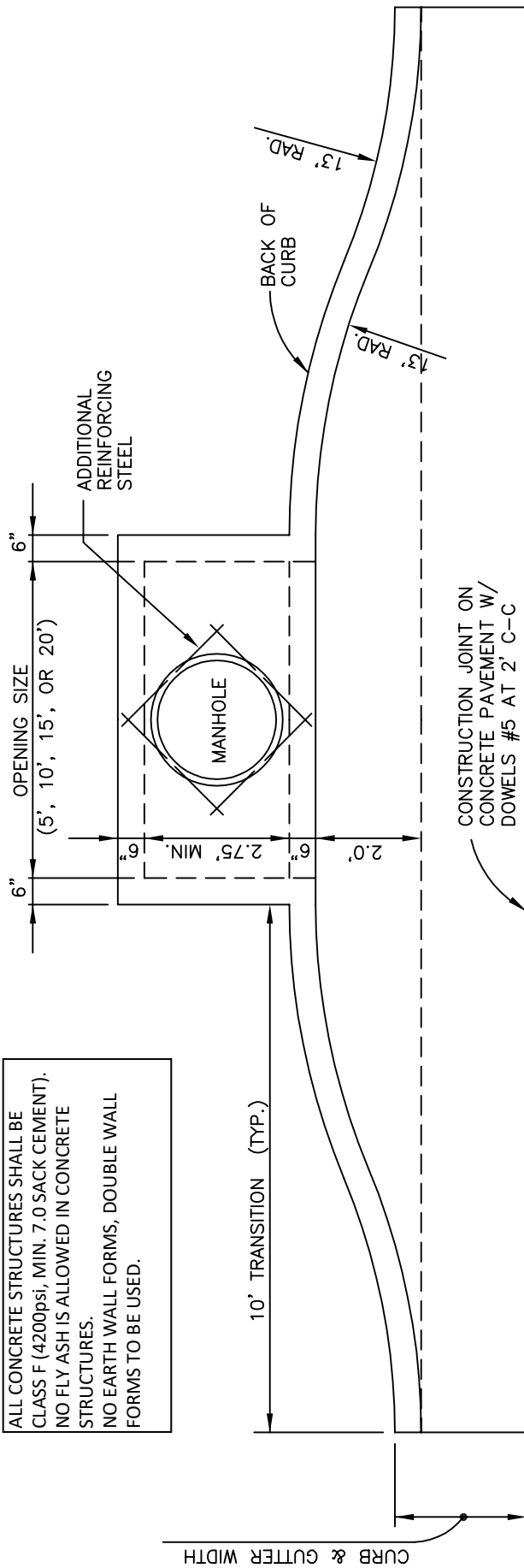
DEPTH "D"	5'-0" OPENING						10'-0" OPENING						15'-0" OPENING						20'-0" OPENING					
	WIDTH 3'-0"		WIDTH 4'-0"		WIDTH 5'-0"		WIDTH 3'-0"		WIDTH 4'-0"		WIDTH 5'-0"		WIDTH 3'-0"		WIDTH 4'-0"		WIDTH 5'-0"		WIDTH 3'-0"		WIDTH 4'-0"		WIDTH 5'-0"	
	CONC C.Y.	STEEL LBS.	CONC C.Y.	STEEL LBS.	CONC C.Y.	STEEL LBS.	CONC C.Y.	STEEL LBS.	CONC C.Y.	STEEL LBS.	CONC C.Y.	STEEL LBS.	CONC C.Y.	STEEL LBS.	CONC C.Y.	STEEL LBS.	CONC C.Y.	STEEL LBS.	CONC C.Y.	STEEL LBS.	CONC C.Y.	STEEL LBS.	CONC C.Y.	STEEL LBS.
3'-6"	2.62	306	2.95	332	3.28	373	4.12	479	4.64	521	5.20	564	5.69	667	6.40	721	7.10	775	7.20	846	8.11	909	9.03	976
3'-9"	2.70	309	3.04	341	3.39	373	4.25	494	4.78	536	5.34	579	5.87	687	6.58	741	7.30	796	7.42	874	8.34	937	9.27	1010
4'-0"	2.78	328	3.14	364	3.49	399	4.38	518	4.92	565	5.49	610	6.05	718	6.77	776	7.49	835	7.64	909	8.58	976	9.51	1046
4'-3"	2.87	334	3.23	370	3.59	406	4.51	526	5.06	573	5.64	619	6.22	729	6.95	787	7.69	847	7.87	922	8.81	990	9.75	1061
4'-6"	2.95	356	3.32	394	3.69	431	4.64	558	5.20	607	5.79	656	6.40	770	7.14	830	7.88	891	8.09	973	9.04	1043	9.99	1115
4'-9"	3.03	361	3.41	410	3.79	438	4.77	566	5.34	616	5.94	665	6.57	780	7.32	841	8.07	903	8.31	986	9.27	1056	10.23	1129
5'-0"	3.12	367	3.51	416	3.90	445	4.90	574	5.47	624	6.09	674	6.75	791	7.51	853	8.27	915	8.53	999	9.50	1070	10.47	1144
5'-3"	3.20	383	3.60	424	4.00	465	5.03	600	5.61	652	6.23	704	6.93	827	7.69	890	8.46	955	8.76	1044	9.73	1118	10.71	1194
5'-6"	3.28	389	3.69	430	4.10	472	5.16	608	5.75	661	6.38	713	7.11	837	7.88	901	8.66	967	8.98	1057	9.97	1131	10.95	1208
5'-9"	3.37	405	3.78	451	4.20	495	5.29	635	5.89	690	6.53	744	7.28	874	8.07	940	8.85	1007	9.20	1102	10.20	1178	11.19	1258
6'-0"	3.45	415	3.88	460	4.30	504	5.42	646	6.03	702	6.68	757	7.45	888	8.25	954	9.05	1022	9.42	1119	10.43	1196	11.43	1276
6'-3"	3.53	425	3.97	470	4.41	515	5.55	661	6.17	718	6.83	773	7.63	908	8.44	975	9.24	1044	9.64	1147	10.66	1223	11.67	1305
6'-6"	3.62	437	4.06	486	4.51	532	5.68	681	6.31	739	6.97	797	7.81	935	8.62	1005	9.43	1057	9.87	1178	10.89	1258	11.92	1340
6'-9"	3.70	441	4.15	490	4.61	537	5.81	688	6.45	747	7.12	806	7.98	945	8.81	1015	9.63	1066	10.09	1191	11.12	1272	12.15	1355
7'-0"	3.78	460	4.25	510	4.71	560	5.94	716	6.59	777	7.27	837	8.16	981	8.99	1053	9.82	1126	10.31	1237	11.35	1319	12.40	1404
7'-3"	3.86	465	4.34	516	4.81	567	6.07	724	6.72	785	7.42	846	8.33	992	9.18	1065	10.02	1138	10.53	1249	11.59	1333	12.64	1418
7'-6"	3.95	477	4.43	529	4.91	570	6.20	742	6.86	804	7.57	866	8.51	1016	9.36	1089	10.21	1163	10.75	1290	11.82	1365	12.88	1451
7'-9"	4.03	491	4.53	544	5.02	597	6.33	762	7.00	826	7.71	890	8.67	1040	9.55	1116	10.41	1193	10.98	1313	12.05	1399	13.12	1498
8'-0"	4.12	496	4.62	550	5.12	604	6.46	770	7.14	834	7.86	899	8.86	1051	9.73	1129	10.60	1205	11.20	1325	12.28	1412	13.36	1510
8'-3"	4.20	504	4.71	559	5.22	613	6.59	784	7.28	849	8.01	915	9.04	1069	9.92	1149	10.80	1228	11.42	1353	12.51	1440	13.60	1529
8'-6"	4.28	519	4.80	576	5.32	632	6.71	804	7.42	871	8.16	938	9.21	1107	10.10	1176	10.99	1257	11.64	1385	12.74	1474	13.84	1565
8'-9"	4.37	528	4.90	586	5.42	643	6.84	819	7.56	886	8.31	954	9.39	1119	10.29	1199	11.18	1280	11.87	1410	12.97	1500	14.08	1592
9'-0"	4.45	545	4.99	605	5.53	664	6.97	842	7.70	912	8.46	982	9.56	1148	10.47	1231	11.38	1313	12.09	1447	13.21	1539	14.32	1631
9'-3"	4.53	554	5.08	614	5.63	674	7.10	858	7.84	929	8.60	999	9.74	1169	10.66	1252	11.57	1335	12.31	1474	13.44	1563	14.56	1660
9'-6"	4.62	568	5.17	630	5.73	692	7.23	878	7.97	950	8.75	1022	9.92	1195	10.84	1280	11.77	1365	12.53	1505	13.67	1600	14.80	1696
10'-0"	4.78	582	5.36	645	5.93	708	7.49	900	8.11	974	9.05	1048	10.27	1227	11.21	1312	12.16	1399	12.98	1546	14.13	1642	15.29	1739

NOTE:
 FOR CONVENIENCE, DEPTHS OF INLETS SHOWN IN ABOVE TABLES ARE IN INCREMENTS OF 3 INCHES BUT ANY DEPTHS OTHER THAN THOSE SHOWN ABOVE MAY BE USED WHEREVER DEEMED NECESSARY. QUANTITIES FOR OTHER DEPTHS FALLING WITHIN THE LIMITS OF THE TABLE MAY BE FOUND BY INTERPOLATION.


ALL CONCRETE STRUCTURES SHALL BE CLASS F
 (4200psi, MIN. 7.0 SACK CEMENT).
 NO FLY ASH IS ALLOWED IN CONCRETE STRUCTURES.

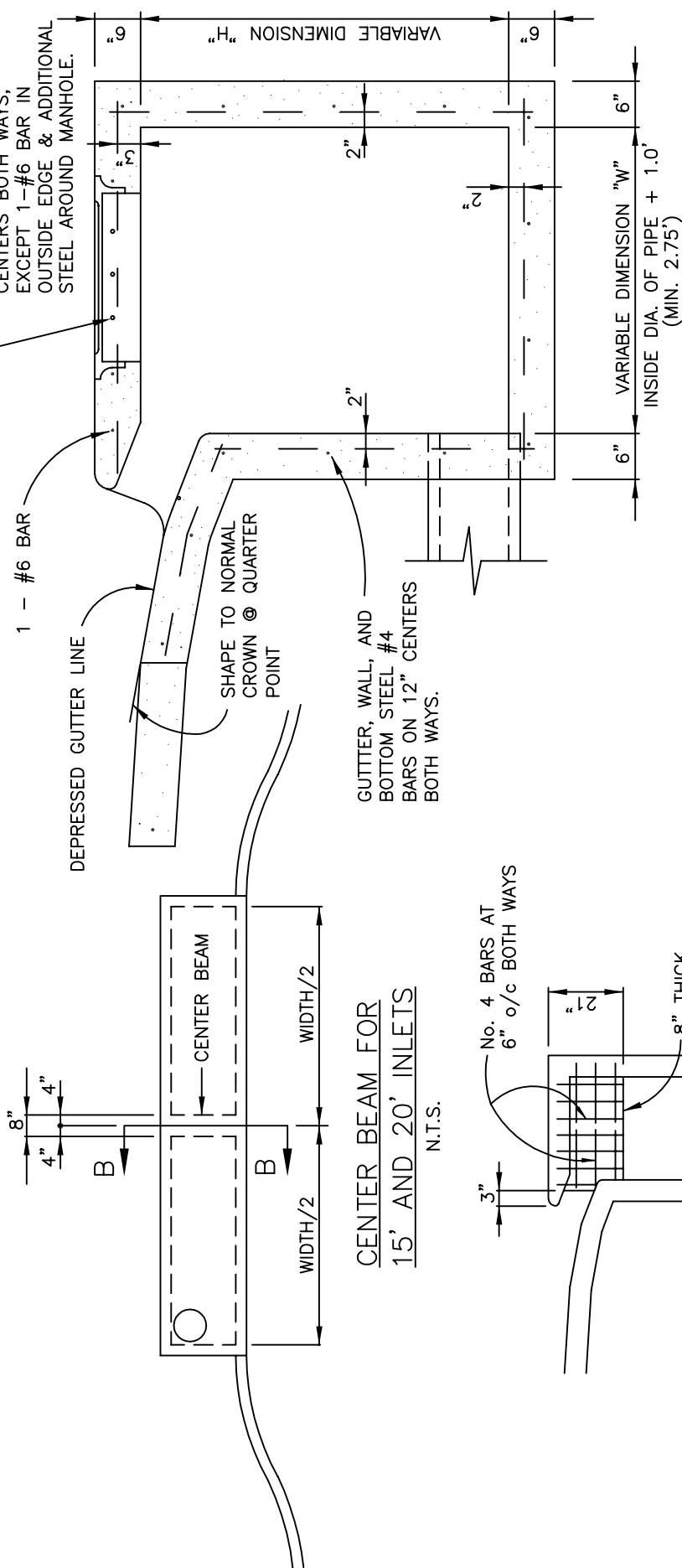
STANDARD DRAWING NO. R-6020E	 CITY OF ROCKWALL	STANDARD SPECIFICATION REFERENCE 702
		DATE Mar. 2018
STANDARD DRAWING NO. R-6020E		

ALL CONCRETE STRUCTURES SHALL BE CLASS F (4200psi, MIN. 7.0 SACK CEMENT). NO FLY ASH IS ALLOWED IN CONCRETE STRUCTURES. NO EARTH WALL FORMS, DOUBLE WALL FORMS TO BE USED.



- NOTES:**
1. LOCATION OF MANHOLE OPENING TO BE AT OUTFALL END, UNLESS OTHERWISE DIRECTED BY THE OWNER.
 2. IF INLET OPENING IS OVER 10' WIDTH, THEN THERE SHALL BE A MANHOLE OPENING AT EACH END OF INLET.

 CITY OF ROCKWALL		STANDARD SPECIFICATION REFERENCE 702	STANDARD DRAWING NO. R-6030A
CURB INLET RECESSED 5', 10', 15' OR 20' OPENING		DATE Mar. 2018	STANDARD DRAWING NO. R-6030A
STANDARD DRAWING NO. R-6030A			



SECTION A-A
N.T.S.

ALL CONCRETE STRUCTURES SHALL BE CLASS F (4200psi, MIN. 7.0 SACK CEMENT). NO FLY ASH IS ALLOWED IN CONCRETE STRUCTURES. NO EARTH WALL FORMS, DOUBLE WALL FORMS TO BE USED.

SECTION B-B
N.T.S.

STANDARD DRAWING NO. R-6030B

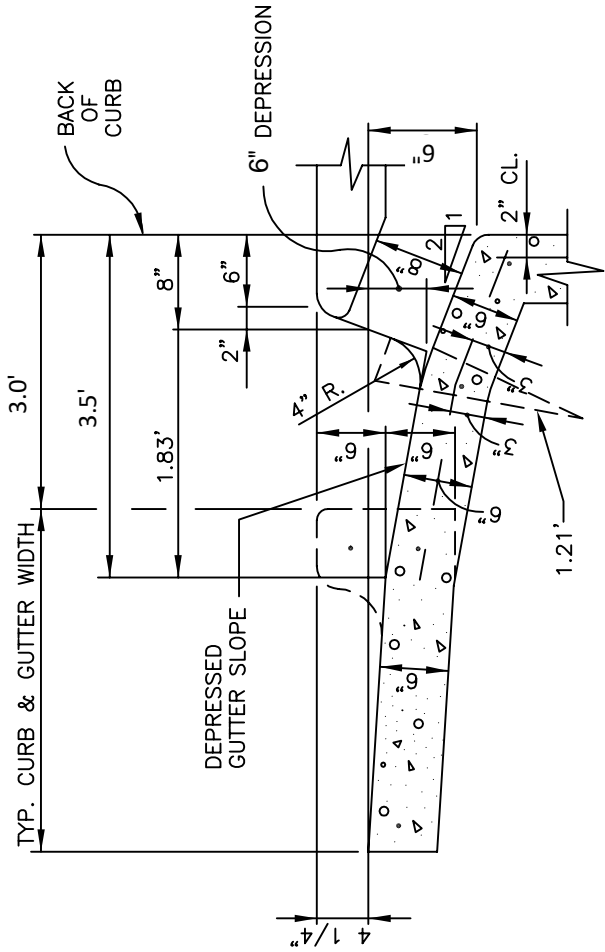
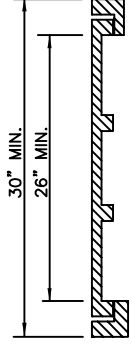
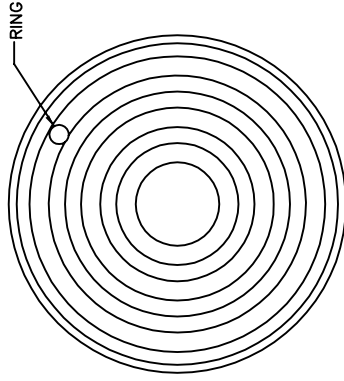
CITY OF ROCKWALL



STANDARD SPECIFICATION REFERENCE 702

DATE Mar. 2018
STANDARD DRAWING NO. R-6030B

CURB INLET RECESSED
CROSS SECTION & CENTER BEAM



INLET THROAT
N.T.S.

ALL CONCRETE STRUCTURES SHALL BE CLASS F (4200psi, MIN. 7.0 SACK CEMENT). NO FLY ASH IS ALLOWED IN CONCRETE STRUCTURES.

MANHOLE FRAME & COVER
N.T.S.

INLET LID OF BE LOCKING

STANDARD DRAWING NO.
R-6030C

CURB INLET RECESSED
INLET THROAT & M.H. FRAME & COVER



CITY OF ROCKWALL

STANDARD SPECIFICATION REFERENCE
702

DATE
Mar. 2018

STANDARD DRAWING NO.
R-6030C

GENERAL NOTES:

1. IN GENERAL, REINFORCING STEEL SHALL BE #4 BARS ON 12" CENTERS BOTH WAYS FOR GUTTER, BOTTOM SLAB ENDS, FRONT AND BACK WALLS, AND #4 BARS ON 6" CENTERS BOTH WAYS FOR TOP SLAB. AN ADDITIONAL #6 BAR SHALL BE PLACED IN THE FRONT EDGE OF THE TOP SLAB IN THE INLETS AND ADDITIONAL REINFORCING STEEL SHALL BE PLACED AROUND MANHOLES AS SHOWN.
2. ALL REINFORCING STEEL SHALL BE GRADE 60.
3. ALL CONCRETE STRUCTURES SHALL BE CLASS F (4200psi, MIN. 7.0 SACK CEMENT). ALL EXPOSED CORNERS SHALL BE CHAMFERED 3/4".
4. ALL REINFORCING STEEL SHALL HAVE A MINIMUM COVER OF 2" TO THE CENTERS OF THE BARS.
5. 10'-0" OF EXISTING CURB AND GUTTER UPSTREAM AND 10'-0" OF EXISTING CURB AND GUTTER DOWNSTREAM SHALL BE REMOVED AND REPOURED INTEGRALLY WITH EACH INLET.
6. ALL BACK FILLING SHALL BE PERFORMED BY MECHANICAL TAMPING TO 95% STANDARD PROCTOR DENSITY.
7. NO FLY ASH IS ALLOWED IN CONCRETE STRUCTURES.

STANDARD DRAWING NO.
R-6030D

CURB INLET RECESSED

GENERAL NOTES

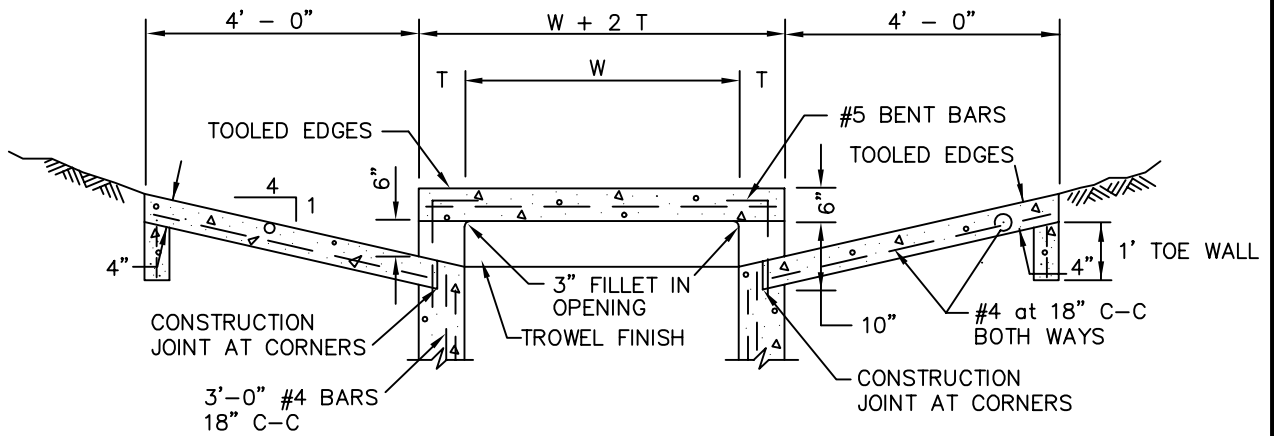
CITY OF ROCKWALL



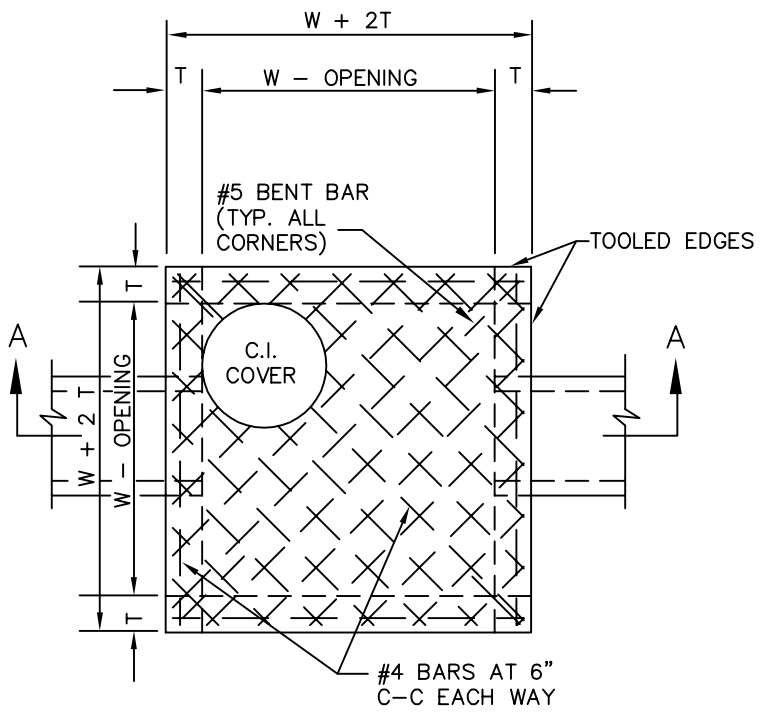
STANDARD SPECIFICATION REFERENCE
702

DATE
Mar. 2018

STANDARD DRAWING NO.
R-6030D



SECTION "A-A"
N.T.S.



PLAN OF TOP SLAB
N.T.S.

ALL CONCRETE STRUCTURES SHALL BE CLASS F (4200psi, MIN. 7.0 SACK CEMENT). NO FLY ASH IS ALLOWED IN CONCRETE STRUCTURES. NO EARTH WALL FORMS, DOUBLE WALL FORMS TO BE USED.

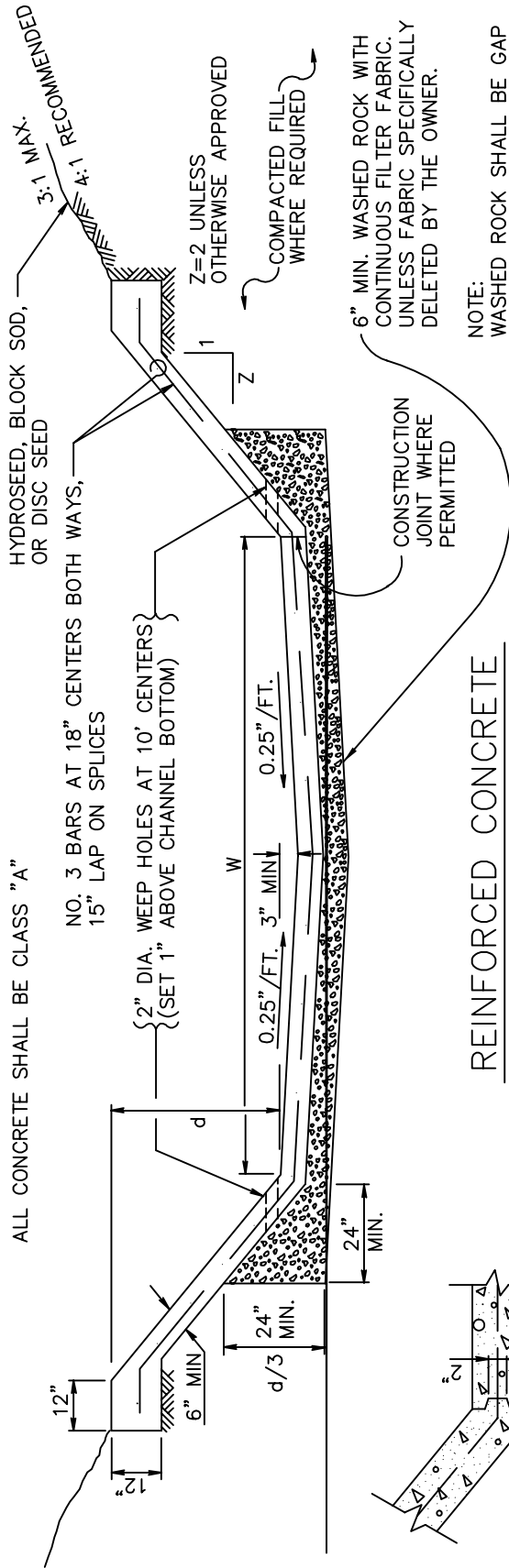
INLET SIZE	T	W
2' SQUARE	7"	2'-0"
4' SQUARE	7"	4'-0"
5' SQUARE	8"	5'-0"
6' SQUARE	9"	6'-0"

NOTES:

1. MATERIAL AND WORKMANSHIP SHALL CONFORM WITH THE REQUIREMENTS OF NCTCOG STANDARD SPECIFICATIONS FOR STANDARD CONCRETE MANHOLES. MINIMUM CLASS "A" CONCRETE.
2. LAYERS OF REINFORCING STEEL NEAREST THE INTERIOR AND EXTERIOR SURFACES SHALL HAVE A COVER OF 2" TO THE CENTER OF BARS, UNLESS OTHERWISE NOTED.
3. FOR DETAILS OF REINFORCING OF LOWER PORTIONS OF INLET SEE APPROPRIATE SQUARE MANHOLE DETAILS.
4. DEPTH OF DROP INLET FROM FINISHED GRADE TO FLOW LINE OF INLET IS VARIABLE. APPROXIMATE DEPTH WILL BE SHOWN ON PLANS AT LOCATION OF INLET.
5. ALL STANDARD DROP INLETS SHALL HAVE ONE OPENING ON EACH SIDE UNLESS OTHERWISE SHOWN ON PLANS.
6. DECK MAY BE REINFORCED SAME AS 4' SQUARE MANHOLE.

<p>DROP INLET</p> <p>2', 4', 5' OR 6' SQUARE</p>	<p>CITY OF ROCKWALL</p>	<p>STANDARD SPECIFICATION REFERENCE</p> <p>702</p> <p>DATE</p> <p>Mar. 2018</p> <p>STANDARD DRAWING NO.</p> <p>R-6040</p>
--	-------------------------	---

FILL AREAS SHALL BE COMPACTED TO 95% STD. PROCTOR DENSITY AT OPTIMUM MOISTURE CONTENT PRIOR TO CHANNEL EXCAVATION.



ALL CONCRETE SHALL BE CLASS "A"

NO. 3 BARS AT 18" CENTERS BOTH WAYS,
15" LAP ON SPLICES

{ 2" DIA. WEEP HOLES AT 10' CENTERS }
(SET 1" ABOVE CHANNEL BOTTOM)

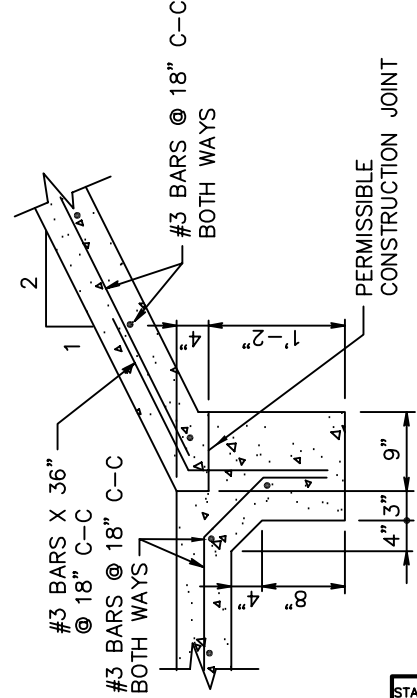
0.25" / FT. 3" MIN.

6" MIN. WASHED ROCK WITH CONTINUOUS FILTER FABRIC. UNLESS FABRIC SPECIFICALLY DELETED BY THE OWNER.

NOTE: WASHED ROCK SHALL BE GAP GRADED 1 1/2".

REINFORCED CONCRETE CHANNEL SECTION
N.T.S.

CONSTRUCTION JOINT
N.T.S.



ALL CONCRETE STRUCTURES SHALL BE CLASS F (4200psi, MIN. 7.0 SACK CEMENT). NO FLY ASH IS ALLOWED IN CONCRETE STRUCTURES.

JOINT SEALER

3/4" REDWOOD

7/8" X 5" SLEEVE

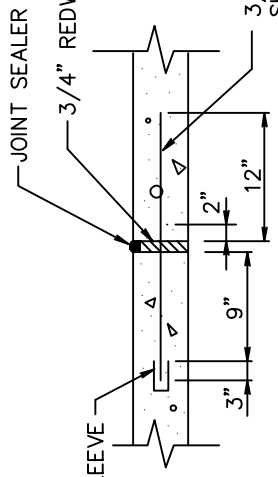
#3 BARS @ 18" C-C BOTH WAYS

PERMISSIBLE CONSTRUCTION JOINT

ALTERNATE CONSTRUCTION JOINT
N.T.S.

TRANSVERSE EXPANSION JOINT

SPACE 100' C-C AND USE AT ENDS OF CURVES - P.C. AND P.T. N.T.S.



3/4" BARS @ 21" C-C SHALL SERVE AS DOWELS. DOWELS SHALL BE ASPHALT COATED 12" ON FREE END.

STANDARD DRAWING NO. R-6050

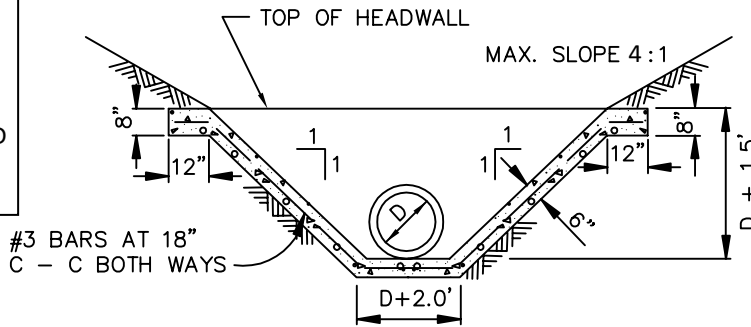
FULL CHANNEL LINING CONCRETE REINFORCED

CITY OF ROCKWALL

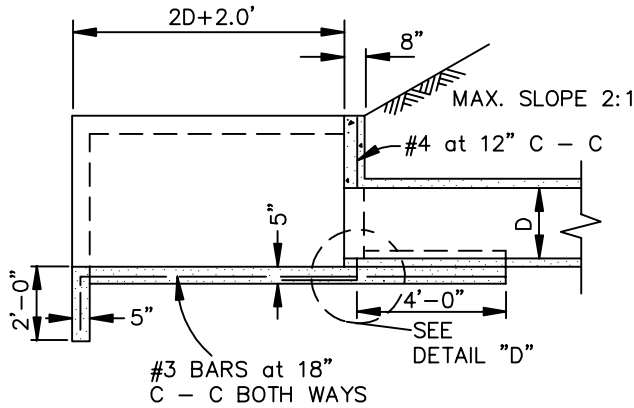
STANDARD SPECIFICATION REFERENCE 803.3

DATE Mar. 2018
STANDARD DRAWING NO. R-6050

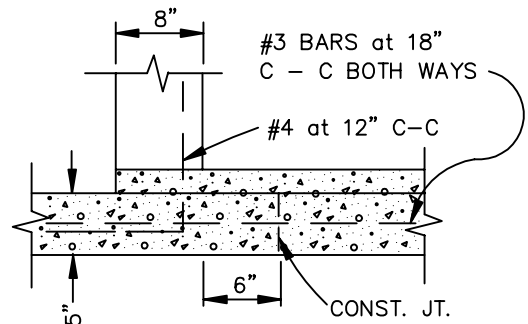
ALL CONCRETE STRUCTURES SHALL BE CLASS F (4200psi, MIN. 7.0 SACK CEMENT). NO FLY ASH IS ALLOWED IN CONCRETE STRUCTURES.



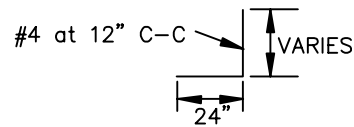
SECTION "B-B"
N.T.S.



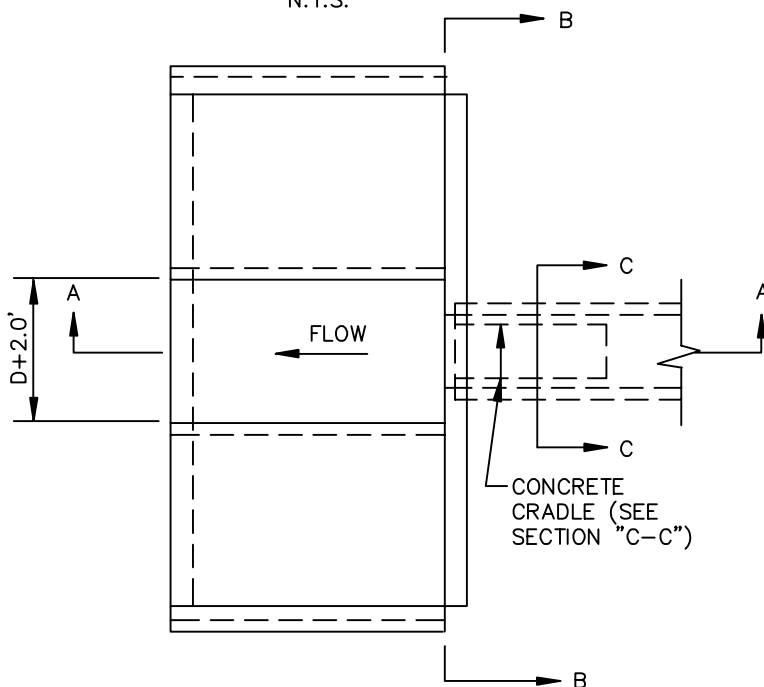
SECTION "A-A"
N.T.S.



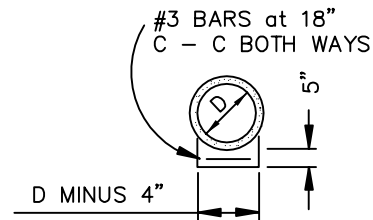
DETAIL "D"
N.T.S.



BAR DETAIL
N.T.S.



PLAN
N.T.S.



SECTION "C-C"
N.T.S.

NOTE:
CONCRETE SHALL BE CLASS "A"

CONCRETE APRON
VERTICAL HEADWALL

CITY OF ROCKWALL

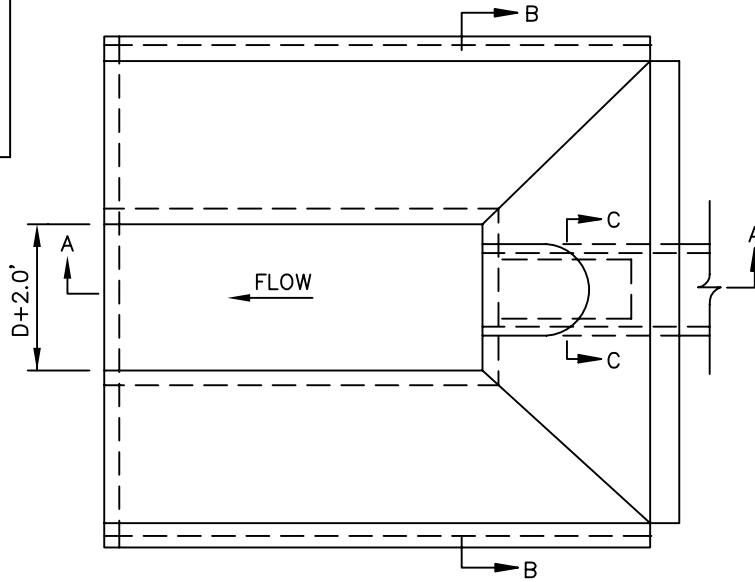


STANDARD SPECIFICATION REFERENCE
803.3

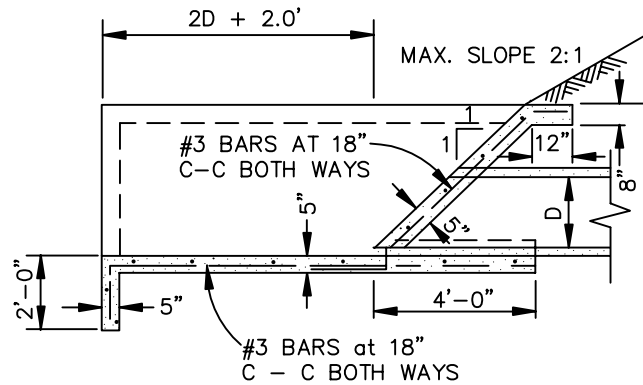
DATE
Mar. 2018

STANDARD DRAWING NO.
R-6060

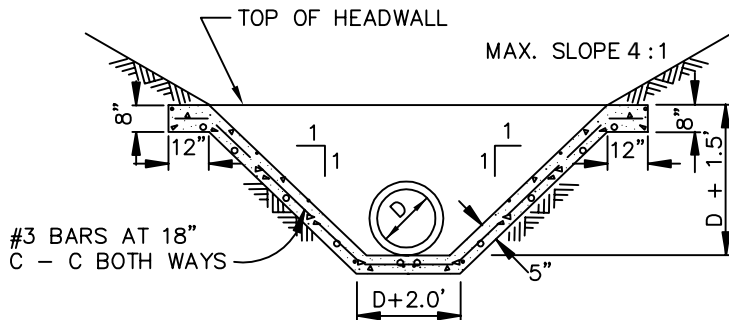
ALL CONCRETE STRUCTURES SHALL BE CLASS F (4200psi, MIN. 7.0 SACK CEMENT). NO FLY ASH IS ALLOWED IN CONCRETE STRUCTURES.



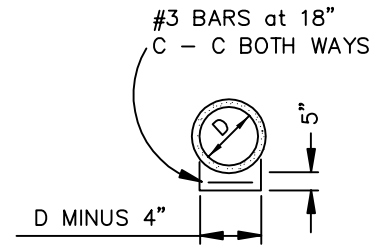
PLAN
N.T.S.



SECTION A-A
N.T.S.



SECTION B-B
N.T.S.



SECTION C-C
N.T.S.

NOTE:
CONCRETE SHALL BE CLASS "A".

CONCRETE APRON
SLOPING HEADWALL

CITY OF ROCKWALL



STANDARD SPECIFICATION REFERENCE
803.3

DATE
Mar. 2018

STANDARD DRAWING NO.
R-6070